

# Expandable Capacity for Integrated Digital Transformation

A safe and smart investment for the long term.

## Features:

- Scan speeds up to 100 ppm / 200 ipm\*
- 35,000 page daily duty cycle
- Visioneer® OneTouch® scanning to multiple applications
- On-Board Acuity Hardware Image Processing
- Large ADF accommodates 300 sheets\*\*
- Xerox® FreeFlow Makeready® Software Integration
- Optional Pre-Imprinter Available
- Double Feed Detection
- Connect with DocuMate 4700 for flatbed scanning capabilities

\*At 200 or 300 dpi, b&w, grayscale, or color, A4 size paper, landscape orientation

\*\*20 lb., 75-90 g/m<sup>2</sup> paper



## PRODUCTION ON-RAMP

Digital transformation is here, and for many enterprises, capturing large quantities of paper will continue to be a vital need. Discovery documents in the legal world. Incoming medical records in healthcare. Client documents in asset management, banking and mortgage services. Testing and student records in education. Applications in customs, immigration and other government services. Clearing boxes of historical records everywhere else. All of these applications require an on-ramp that will handle these needs with operator ease and no surprises with the ongoing cost of ownership.

## FULL SPEED AHEAD

PPM specifications can sometimes be misleading, but the true production speed is a combination of scanner speed, on-board processing, the connected PC, and the

software delivering the scan to its destination. The DocuMate 6710's 100 ppm / 200 ipm speed is just the start of the story. Visioneer's On-Board Acuity technology handles 15 image enhancements in hardware, saving PC processing time. A true native USB 3.0 connection delivers a fast pipeline. Finishing off the job, Visioneer Acuity detects the available memory and processing power of the connected PC and uses multi-thread, multi-core logic to ensure that the PC itself isn't the bottleneck. The result: scan speeds as advertised.

## BREAKTHROUGH PARALLEL SCANNING

You can connect multiple DocuMate 6710's to one scanning workstation, multiplying the number of pages handled every hour. And each scanner can be running a different workflow. This opens up a completely new way to handle scans in a concurrent fashion.

Connect two 6710's, scan on one while you're setting up the other. Or run several at the same time. We support up to 10 connections – the only limitation is the capacity of the connected workstation.

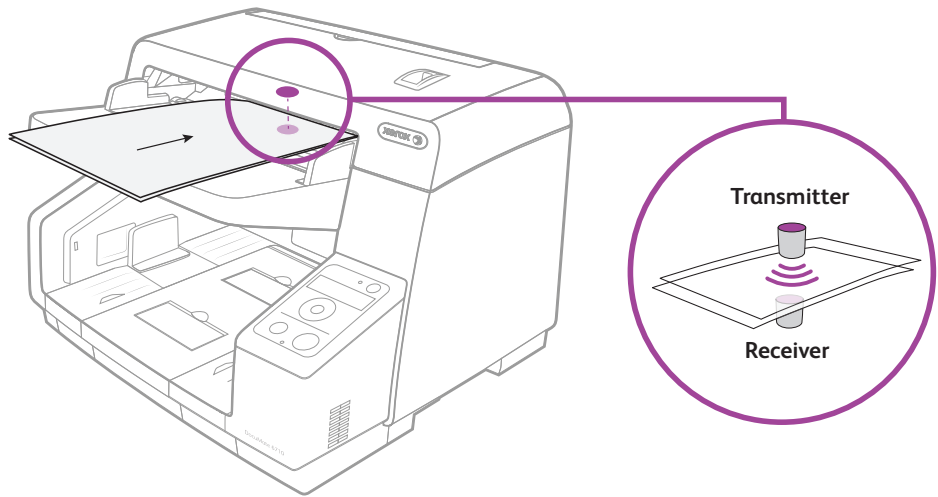
## TRUE WORKFLOW AND INTEGRATION

The industry's first scanner workflow solution, Visioneer's OneTouch with Acuity allows operators to define the steps the scan will go through from scanning to integration with the destination. What's more, the 6710 can store up to 90 jobs on the control panel display, so they can be selected without the PC. Completing the story, Visioneer TWAIN DriverPLUS with Acuity provides precise control of scan settings, beyond the TWAIN drivers offered by competitors. This is vital to easy integration with IT and cloud document and content applications.

# Xerox® DocuMate® 6710 Scanner Features

## ULTRASONIC MULTI-FEED DETECTION

The Xerox® DocuMate 6710 is equipped with an ultrasonic sensor, which accurately detects double-feeding even when scanning documents of various thicknesses. When detected, the ultrasonic sensor prevents double-feeding by immediately stopping the scanning process, ensuring that all documents in the scanning process are accurately captured.



## PRE-IMPRINTER OPTION READY

The DocuMate 6710 features an optional pre-imprinter accessory (sold separately) that provides users the ability to print specific characters, words, names, dates, and serial numbers onto the original document. Print warehousing information on documents at the start of the scanning process to reference specific locations where the hard copy originals are tracked and stored.

## DOUBLE FEED PREVENTION ROLLER

The Double Feed Prevention Roller integrated into the DocuMate 6710 ensures reliable scanning of a large number of documents involved in the scanning workflow process. The double feed prevention roller separates the feeding documents from the next sheet onward to ultimately reduce and prevent the occurrences of double-fed sheets.

## STAPLED DOCUMENT DETECTION

The DocuMate 6710 incorporates automatic stapled document detection through multiple integrated sensors to prevent scanning materials that can damage the original document or scanner's optical glass. The DocuMate 6710 quickly and accurately detects various types of stapled documents and immediately stops the scanning process, virtually eliminating damage to both the document and the scanner.

## MIXED SIZE AND LONG DOCUMENT SCANNING MODES

The ability to handle mixed size and long documents is a necessary requirement for production scanners. The DocuMate 6710 features a highly reliable paper feed mechanism that quickly and accurately scans documents of varying dimensions to boost work efficiency. Documents up to 100 continuous inches can be scanned in a single image.

## BACKGROUND COLOR SWITCHING

When scanning thin documents, content from the backside of the sheet can bleed into the front sheet scan. Setting the background to "Black" eliminates this possibility, ensuring the scan captured is as accurate as possible. The "White" background setting is ideal for documents with edge or corner damage, and hole punched documents, eliminating artifacts and delivering high quality scanned images.

## IONIZER AND SCANNER GLASS CLEANING BRUSH

The DocuMate 6710 includes an Ionizer which produces an ion-filled breeze through the paper path to neutralize electrical charge and remove particle dust from the paper surface. The Scanning Glass Cleaning Brush directly cleans the scanner glass to further prevent particle dust build up, reducing the need for users to manually clean the scanner glass.

## BARCODE DETECTION

Utilize the TWAIN DriverPLUS Barcode Detection for accurate and efficient barcode detection and recognition with a wide range of barcode formats. Easily create custom configurations, file naming, job separations, and output locations.

## PATCH CODE DETECTION

TWAIN™ DriverPLUS enables Patch Code Detection of Patch 2, 3, and T layouts for A4 and U.S. Letter document sizes. Patch Code page layouts have been specifically designed and optimized for precise and accurate detection.

## CONTROL SHEET FUNCTION

The Control Sheet Function allows users to automatically change the scanner setting without disturbing or interrupting the scanning process, greatly increasing flexibility and improving productivity.

# Xerox® DocuMate® 6710 Scanner Software and Specifications

## VISIONEER® ACUITY

Visioneer Acuity with DriverPLUS technology enables your scanner to instantly improve the visual clarity of scans. On the DocuMate 6710, fifteen Acuity features are onboard, which means it is built into the scanner hardware, thus saving CPU power and keeping your scans going at full speed. Using advanced algorithms Acuity intelligently corrects documents containing imperfections, increases OCR accuracy, and improves the quality of scanned images for archiving.

## VISIONEER ONETOUCH®

Visioneer OneTouch is an easy-to-use scanning utility that sends your scanned documents to nearly any destination by simply pressing a button on your Xerox® DocuMate® scanner. The scanned files are automatically delivered to a folder, email, Microsoft Office application, a local or network printer, or create a custom workflow. OneTouch is integrated with Visioneer Acuity so the image enhancement features are all available with the simplicity of one button scanning.

## VISIONEER TWAIN DRIVERPLUS

Based on the most current TWAIN 2.X specifications, Visioneer DriverPLUS combines the features of advanced 32- and 64-bit native Windows®-based TWAIN and WIA drivers PLUS. It seamlessly integrates with Visioneer OneTouch and Visioneer Acuity, creating an integrated software solution that produces scanned images of the best quality possible. Barcode reading and Patch Code Detection are included in DriverPLUS.

## ABBYY® FINE READER SPRINT

This powerful OCR tool converts scanned images into editable text reducing the need for retyping and paper storage. Convert your scans into various file formats, including searchable PDFs. It accurately reads documents in up to 179 languages and precisely preserves the original document's layout and formatting.

Xerox® DocuMate® 6710 Product Specifications	
Manufacturer Part Number	XDocuMate 6710-A
Xerox Part Number	100N03284
Scan Speed	100 ppm / 200 ipm: 200 or 300 dpi (B&W, grayscale, or color)
Scan Method	Duplex Automatic Document Feeder
Optical Resolution	600 dpi
Supported Resolutions	75, 100, 150, 200, 300, 400, 500, 600, 1200 dpi
Image Sensor	CIS
Light Source	LED (light emitting diode) instant on
Background	Black/White
Output Bit Depth	24-bit color, 8-bit grayscale, 1-bit black & white
Accessories	DocuMate 4700 flatbed scanner, Pre-Imprinter
Detection	Double-feed Detection, Jam Detection, Slip Detection, Dog-ear Detection
Interface	Hi-speed USB 3.0
ADF Maximum Document Size (@ 200 dpi)	12.09" x 100" (307 x 2540mm)
ADF Minimum Document Size	1.9" x 2.75" (48 x 70mm)
Document Weight	5 to 42 lb (20 ~ 157 g/m <sup>2</sup> )
Document Thickness	1.6 - 7.9 mils (0.04 - 0.2 mm)
ADF Capacity	300 pages (20 lb., 75 - 90 g/m <sup>2</sup> paper)
Power Requirement	AC 100 – 240 V, 50/60 Hz
Power Consumption	Maximum (Scanning) 90W or less / 1.5 A (100-120 V)
	Minimum (Standby) 30W or less
	Sleep Mode 1.2 W or less
Scanner Dimensions (W x D x H)	18.4" x 17.5" x 13.6" (468 x 444 x 344mm)
Weight	37.4lb (17kg)
Duty Cycle	35,000 pages

### BOX CONTENTS

- Xerox® DocuMate® 6710 Scanner
- Power Cable
- USB 3.0 Cable
- Separation roller
- Blower for cleaning
- Shading paper
- Exit page control
- Quick Installation Guide
- Technical Support Card
- DVD-ROM includes:
  - User's Manual
  - Visioneer OneTouch
  - Visioneer Acuity
  - ABBYY Fine Reader Sprint
  - Scanner Drivers: TWAIN, ISIS® and Microsoft Windows Image Acquisition (WIA) Driver

### PC MINIMUM SYSTEM REQUIREMENTS

- 2Ghz Intel Core 2 Duo processor
- Compatible with
  - Windows® 10 Pro, Home , Enterprise and Education
  - Windows 7 Pro, Home , Enterprise and Ultimate
  - Windows 8/8.1 Pro, Core and Enterprise
- 2GB RAM
- 350 MB available hard disk space
- Dual layer DVD-ROM drive
- USB port

### ACCESSORIES

- 6710Roll-Kit - Roller Exchange Kit, Xerox® DocuMate 6710 (Yield up to 350,000 sheets)
- XDM-ADF/6710 - Xerox® DocuMate Maintenance Kit 6710 (Optional)

### WARRANTY

- Advanced exchange and on-site options up to 5 years available



[www.xeroxscanners.com](http://www.xeroxscanners.com)

©2019 Xerox Corporation. All rights reserved. Xerox®, DocuMate® and FreeFlow Makeready® are trademarks of Xerox Corporation in the United States and/or other countries and are used under license from Xerox Corporation. Visioneer is an authorized trademark licensee of Xerox®. Visioneer and OneTouch® are trademarks of Visioneer, Inc. Visioneer® and Visioneer OneTouch® are trademarks of Visioneer, Inc. Intel® and Pentium® are trademarks of Intel Corporation in the U.S. and/or other countries. Universal Serial Bus is a trademark of USB Implementers Forum, Inc. (USB-IF). TWAIN™ is a trademark of TWAIN Working Group. ISIS® is a trademark of EMC Corporation. All other trademarks are the property of their respective owners and are hereby acknowledged. Prices, features, specifications, capabilities, appearance and availability of products and services are subject to change without notice. 03/19 BR26063